

4

3

2

1

SPECIFICATIONS:
 IMPEDANCE: 50 OHMS NOMINAL
 FREQUENCY RANGE: DC TO 2.4GHz
 VSWR: DC TO 1GHz AT 1.10:1 MAX.
 1GHz TO 2.4GHz AT 1.25:1 MAX.
 POWER RATING: 150 WATTS AVG. AT 25°C AMBIENT
 COOLING FIN: ALUMINUM, BLACK ANODIZED
 COVER: ALUMINUM, BLACK ANODIZED
 CONNECTOR: N-TYPE FEMALE, TRI-ALLOY PLATED
 OPERATING POSITION: HORIZONTAL (FINS UP) OR VERTICALLY
 NOMINAL SIZE: APPROX. 4.85" L X 5.40" W X 4.30" H
 WEIGHT: APPROX. 2.5 LBS

REVISIONS		DWG. NO.	150-WT-FN	SHEET	REV
ZONE	REV	DESCRIPTION	DATE	1	A
	A	CONVERT TO BEC FORMAT	DMR 4-7-03		MRV

D

C

B

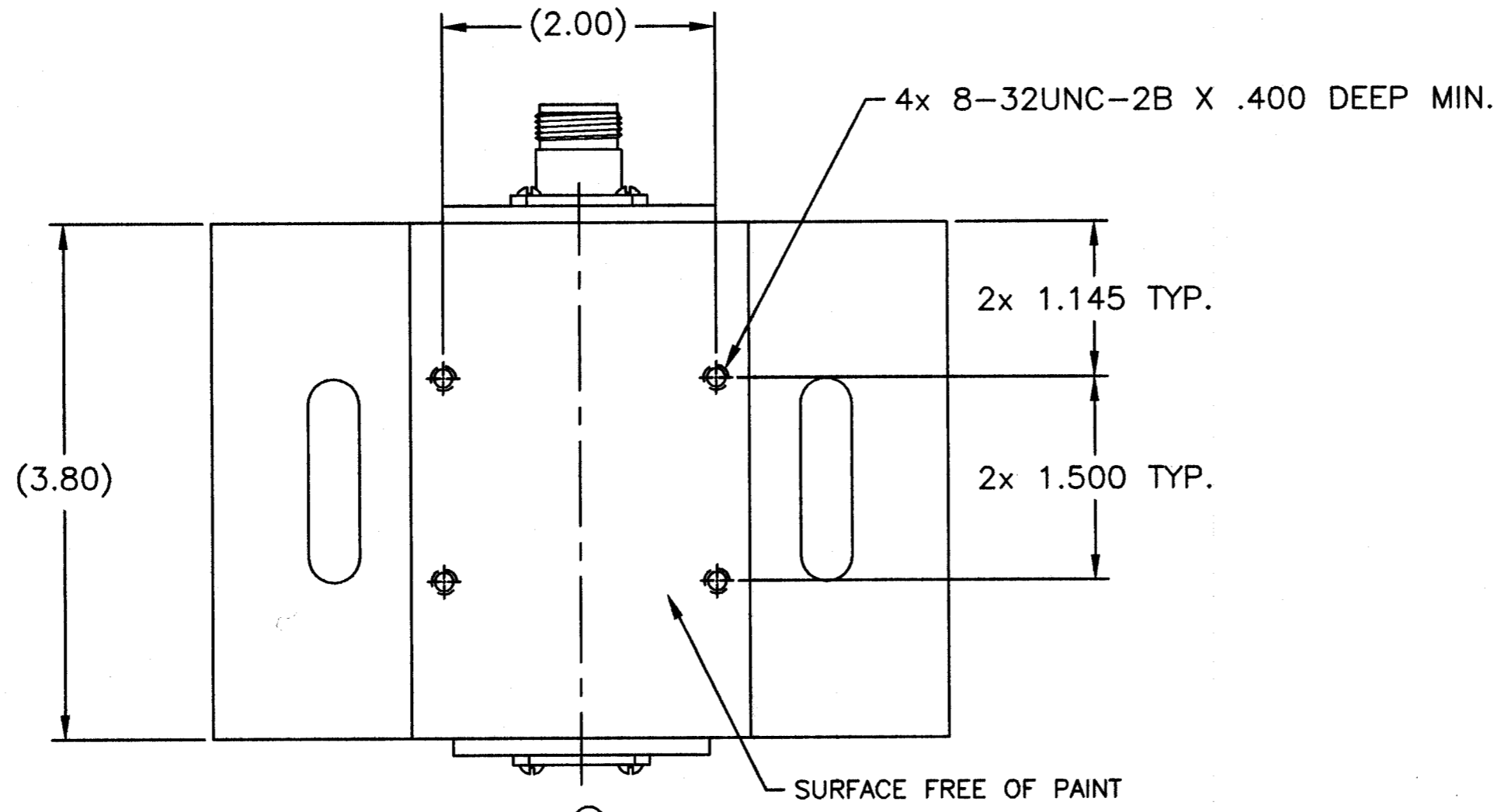
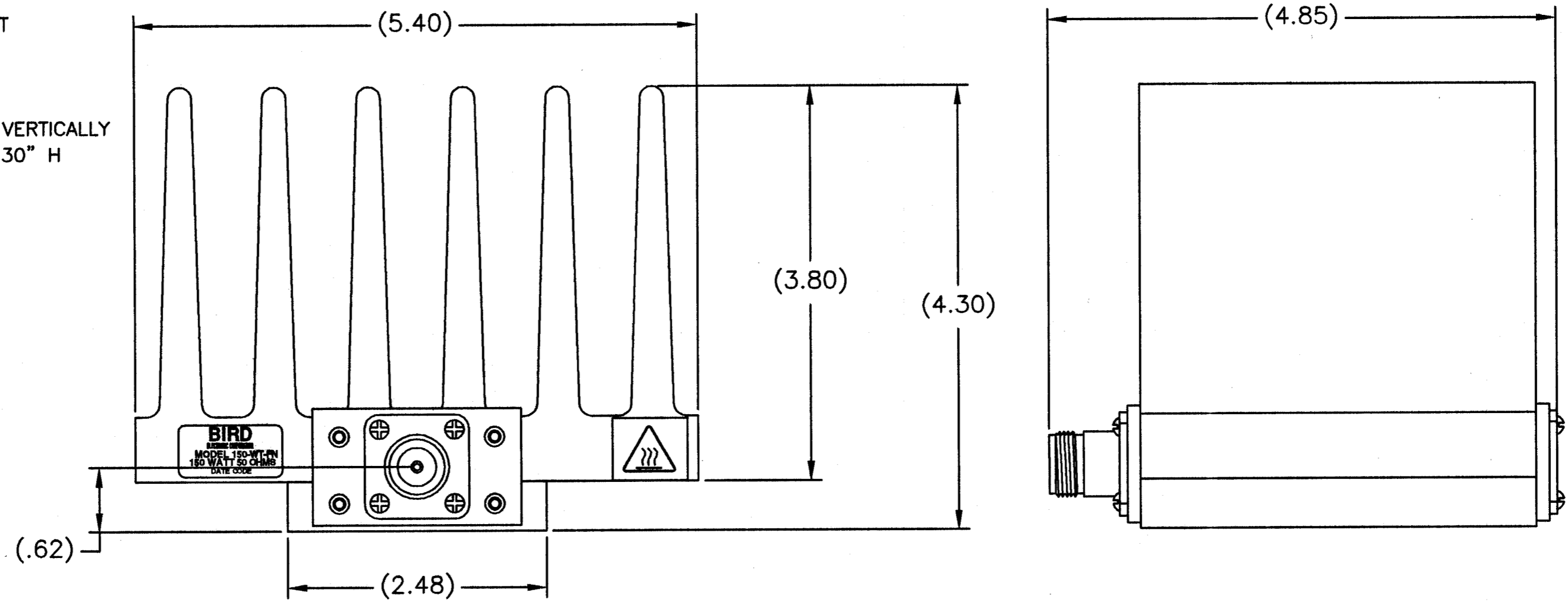
A

D

C

B

A



UNLESS OTHERWISE SPECIFIED DIMENSIONS ARE IN INCHES TOLERANCES ARE: FRACTIONS DECIMALS ANGLES ±1/84 ±.010 ±30° XXX±.005 ±30°	MILLIMETERS X±.4 XX±.12	THIS DRAWING IS THE PROPERTY OF THE BIRD ELECTRONIC CORPORATION. THE DESIGNS AND SPECIFICATIONS DISCLOSED HEREON ARE PROPRIETARY AND SHALL NOT BE REPRODUCED, NOR COPIED, NOR USED AS THE BASIS FOR THE MANUFACTURE OR SALE OF APPARATUS OR DEVICES WITHOUT THEIR EXPRESS WRITTEN CONSENT.		
		TITLE: TERMINATION, CONVECTION COOLED N-TYPE FEMALE, 150W		
DO NOT SCALE DRAWING		APPROVALS	DATE	SIZE FSCM NO. DWG. NO. REV C 70998 150-WT-FN A SCALE 1:1 COMM CODE LD1 SHEET 1 OF 1
MATERIAL		DRAWN D.M.RINK	4-7-03	
FINISH		CHECKED		
		APPROVED MRV	6/503	
			AUTOCAD	

4

3

2

1